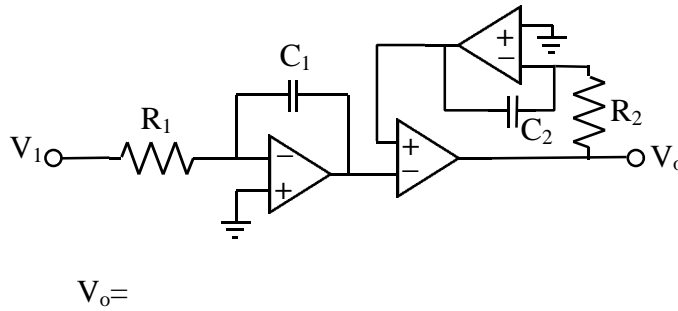


ELEN 458
September 9, 1998

Name:

Quiz 1

Assume ideal components and: (a) Determine the output voltage of the following circuit.



(b) Design with the circuit shown above an amplifier of gain 4. What are the values of C_1 , C_2 , R_1 and R_2 ?